

# AV2000 Series

## Command and Control Console



### THE FEATURES OF AXPERT VISION CONSOLE

“Ergonomic, Rugged, Compact and Modular Design Particularly Suitable for Airborne, Land based & Naval Operating Environments”

Expert Vision offers sophisticated engineering solutions to your extreme organizational needs through state-of-the-art products at your door step. AV2000 console series offers fully functional, ergonomic rugged working positions for the most demanding command and control applications. Designed for operation in airborne, land based and naval environments, the AV2000 family has been designed with a wealth of configuration options: low or high-end environmental specifications, top-down or side-by-side design, integrated or remote computer processing.



Expert Vision



# Technical Specifications AV2000 Series

## General Specifications

- Main Displays: 17" to 24" LCDs
- Mil-Spec, industrial, Fanless and 19" Standard rackmount CPU Option with std./custom I.O Ports
- Touch input device 7" to 10" (Optional)
- Solid state optical trackball: IP68
- Keyboard: Marine 82 keys or full size of backlight keyboard with touch pad, joystick & function keys
- Human factors: Compliant MIL-STD-1472D
- Vibration: Compliant MIL-STD-167-1 Type 1
- Shock: Compliant MIL-STD-810E
- EMI/EMC: Compliant MIL-STD-461D
- Power: 115/220 VAC 50-60 Hz
- Noise: 54 ~ 60dB @50°C
- Magnetic signature: aluminum construction

## Base Unit Configuration

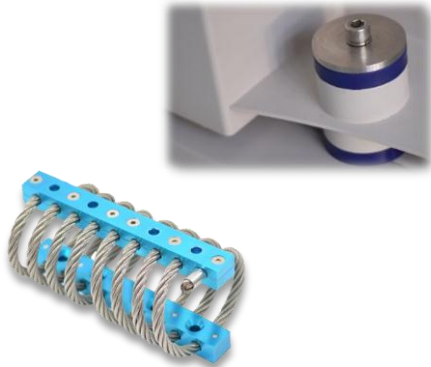
- 19" equipment rack standard.
- UPS and battery bank (Optional)
- Capacity: 10U
- Configurable I/O panel, connectors
- Weight < 25 ~ 40 kg w/o Equipment
- Option for standard or integrated intelligent thermal management system

HMI/Base unit mechanical configurations:

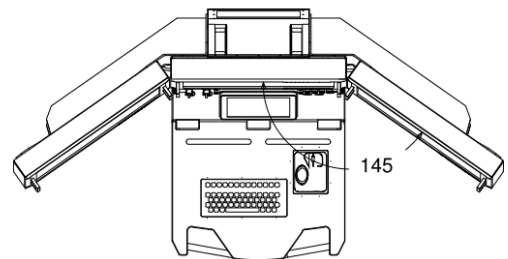
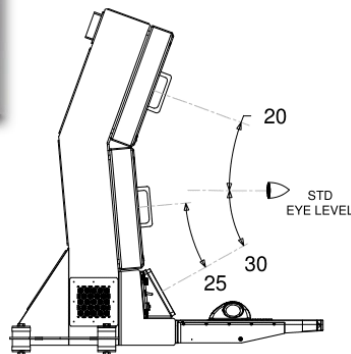
Model	H	W	D	H1	H2	H3	W1	D1	D2
2000	-	-	-	-	525	-	610	915	800
2100	1305	-	1315	745		670			
2200		1225							
2300	1770	-				1130			
2400		1700							

(Dimensions: mm)


Note: All Technical specification are subject to change with out prior notice.

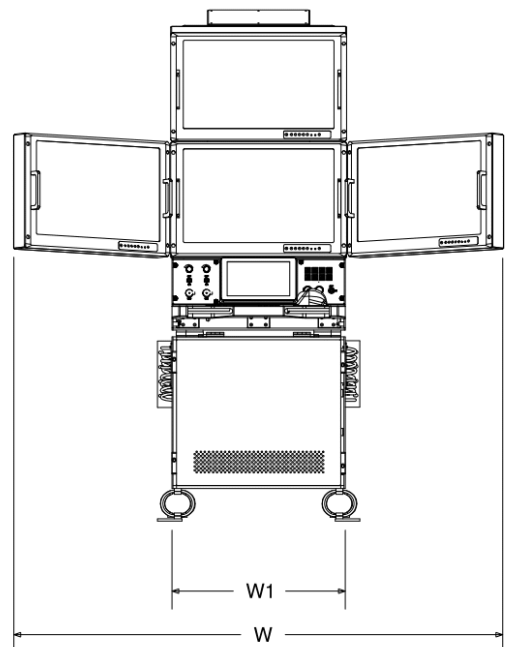
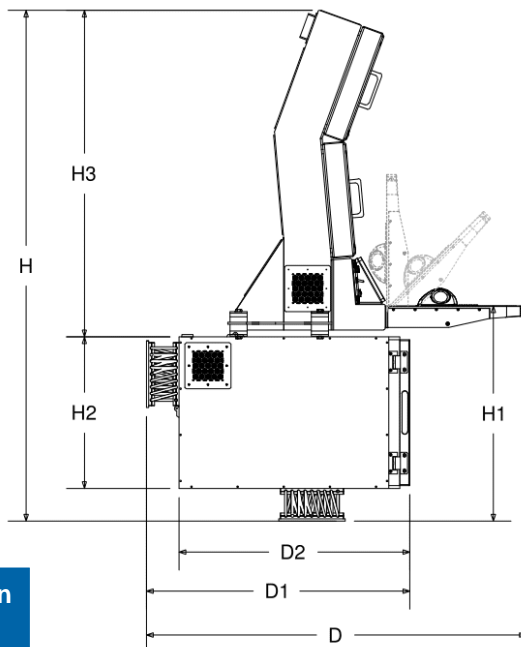


Shock & Vibration Isolators



Ergonomic Trackball

 DATASHEET  
Contact us for Product Data Sheet



Axpert Vision

**Axpert Vision (Pvt) Ltd.**

12/A Sector 26 Korangi Industrial Area  
Karachi 74900 Pakistan

Contact: (+92) 021-35070061 – 63, 0300 9247888

[www.axpervision.com](http://www.axpervision.com)  
[info@axpervision.com](mailto:info@axpervision.com)

